

Before Installing

It is recommended to consult an NWFA certified hardwood floor installer if you are unfamiliar with installing wood flooring accessories. Airwood Flooring Accessories accepts no liability for any damage to the home or personal injury from installation.

Observe all local building codes.

Wood vents should always be installed at the time of your hardwood floor.

Important Information

Airwood Flooring Accessories flush-mount vents are listed and sold by HVAC (air duct) opening, which is an industry standard. The outside dimension of our frame will be larger than the duct opening measurement.

Airwood Flooring Accessories flush-mount vents are available in 9/16", 3/4", 5/8" or 1/2" thickness. These thickness measurements need to be determined at the time of order to match the thickness of the floor being installed. Do not under any circumstance alter the thickness of the vent after fabrication.

Our flush-mount vent may or may not have a universal groove in the frame. Since so many flooring manufactures have their own groove, we recommend installing flush vents by taking the tongue off your hardwood and butt jointing the floor to the frame. See Installation Steps.

Tools and Materials



Safety Glasses



Drill



Hammer



6" Finishing Nail



Nail Set

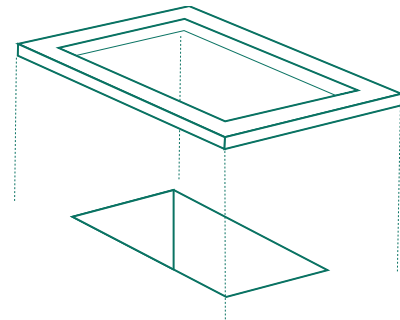
Installation

STEP 1

Clear, clean, and trim any exposed metal from the air duct that sits above the height of the sub floor.

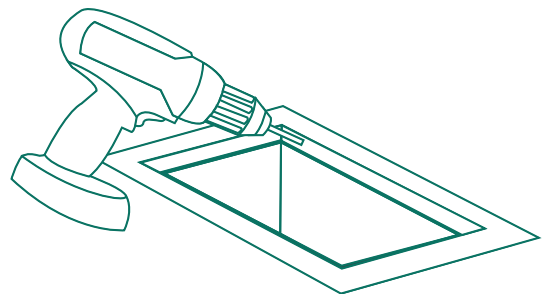
STEP 2

Position the flush-mount frame over the duct opening so that it is parallel to the floor line. All four sides will need to sit on the sub floor. Since no parts or pieces need to fit into the duct opening, you have some flexibility in placement. For optimal performance, the frame of the flush mount vent should be centred over the air duct.



STEP 3

Drill a 5/64" pilot hole inside the rabbeted edge or recessed area of the frame at an angle down into the sub-floor.

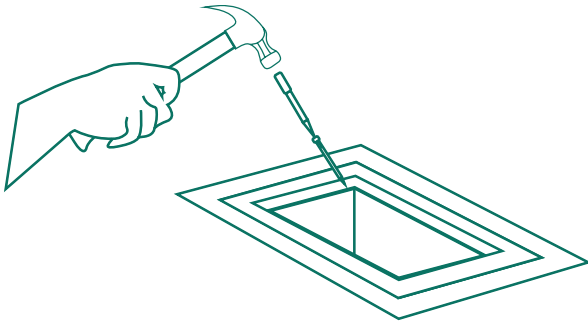


CONTINUED ON NEXT PAGE >

MATCHABLES Wood Vent

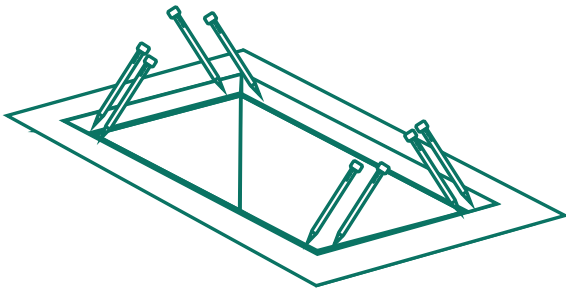
STEP 4

Carefully making sure the frame has not shifted, use a #6 finishing nail to attach one corner of the frame to the sub-floor. Use a nail set to drive the finishing nail into the recessed wood. Avoid using a mallet or hammer to directly drive the finishing nail into place as this can damage the rabbeted edge of the wood frame.



STEP 5

Repeat step 4 on each corner so that you have two nails per side inside the rabbeted edge of the frame firmly securing the frame to the sub-floor.



STEP 6

Wood vents, like hardwood floor have natural colour variation. For a smooth installation that looks aesthetically pleasing it's best to hand select and feather, like coloured flooring planks around the vent.

STEP 7

On a table saw or chop saw cut and fit your hardwood flooring so that it fits tight and flush to the frame of the vent. Do not leave a gap, the frame should fit tight to the edge of your hardwood flooring.

STEP 8

Insert the vent assembly into the frame. Adjust the damper to your preferred airflow output (some products do not come with a damper).

